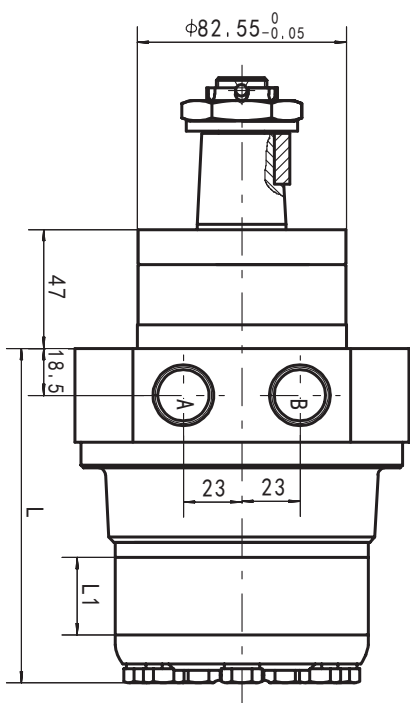
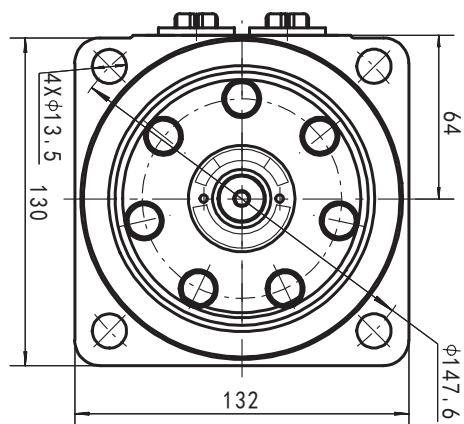




BMRWN DIMENSIONS MOUNTING DATA



Model	L	L1
BMRWN-50	113	10
BMRWN-80	119	16
BMRWN-100	123	20
BMRWN-125	128	25
BMRWN-160	133.5	30.5
BMRWN-200	141	38.1
BMRWN-250	153	50
BMRWN-315	165	62
BMRWN-375	177	74



Order Information

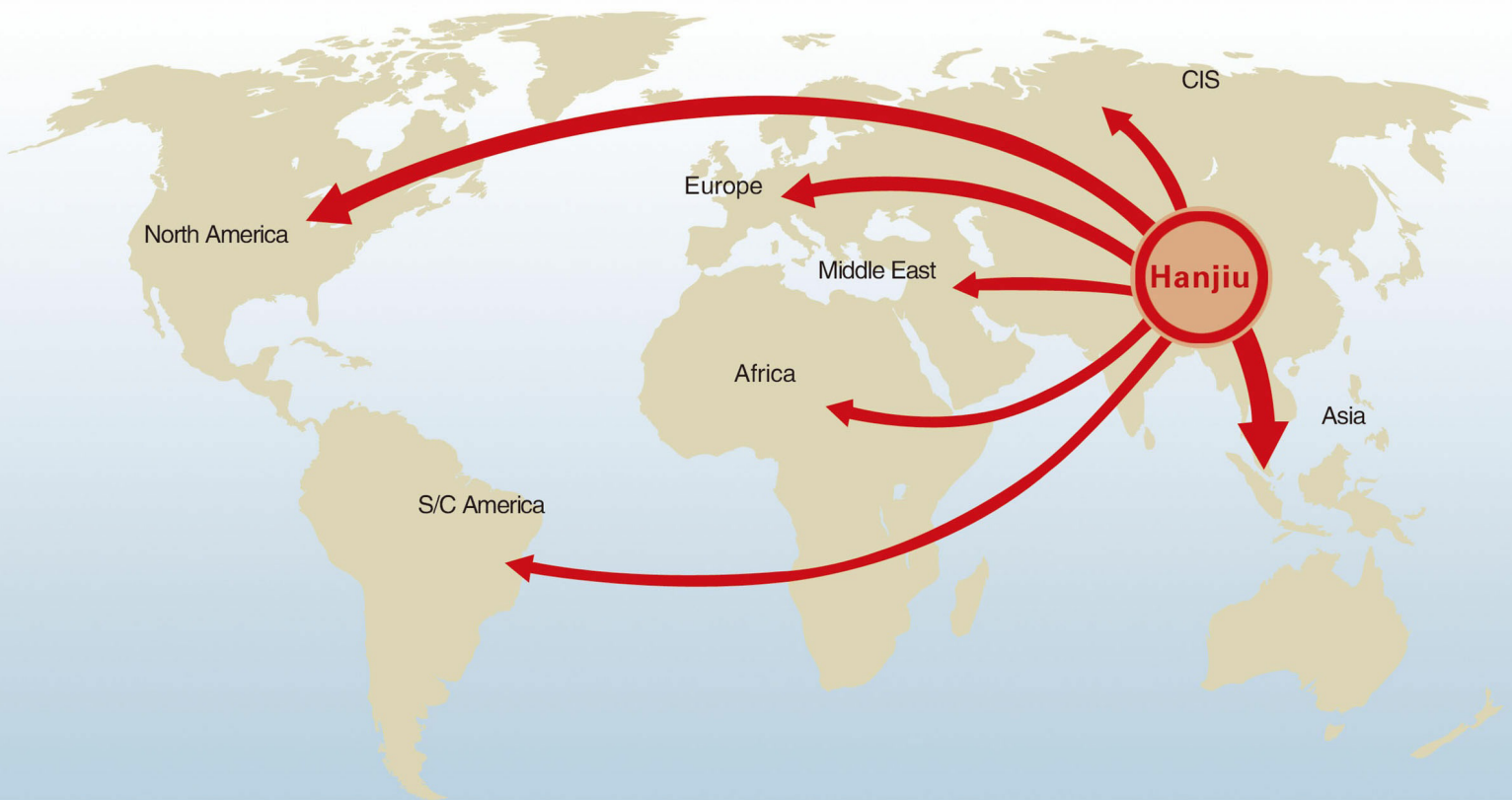
Pos.1	2	3	4	5	6	7	8
Code	Flange	Output shaft	Ports and drain port	Rotation direction	Paint	Unusually function	
BMRWN	50 80 100 125 160 200 250 315 375	4-Ø13.5 Wheel Mount , Ø82.5x9.4 Omit	T1 1:10Cone shaft Ø35, parallel key B6x6x20 B Shaft Ø32 , parallel key 10x8x4 F Shaft Ø31.75, splined key 14-DP12/2 FD Long Shaft Ø31.75, splined key 14-DP12/24 G Shaft Ø31.75, parallel key 7.96x7.96x31.75	D G1/2, G1/4 M M22x1.5, M14x1.5 S 7/8-14 O-ring, 7/16-20UNF P 1/2-14NPTF, 7/16-20UNF	Omit Standard Opposite R	No paint Blue Black Silver grey	Omit Standard

Note: When the table is used, please fill the code of right rows in the table and give us, which the code information is consists of construction, displacement, mounting flange output shaft and ports. If the specification is not in the table or you have specific requirements, please contact us.

Code	G(depth)	M(depth)	S(depth)	P(depth)
P(A,B)	G1/2(15)	M22x1.5(15)	7/8-14O-ring(17)	1/2-14NPTF(15)
C	G1/4(12)	M14x1.5(12)	7/16-20UNF(12)	7/16-20UNF(12)

专业做液压-专注做精品

PROFESSIONAL ON HYDRAULIC- FOCUS ON HIGH QUALITY



石家庄寒九科技有限公司

地址：中国河北石家庄友谊北大街398号

电话：+86 (311) 68123061

传真：+86 (10) - 80115555-568844

邮编：050000

网址：www.hjhydraulic.com

邮箱：manager@sjzhjism.com

SHIJIAZHUANG HANJIU TECHNOLOGY CO.,LTD.

Add: No. 398 Youyi Street, Shijiazhuang, Hebei, China

Tel: +86 (311) 68123061

Fax: +86 (10) - 80115555-568844

Post code: 050000

Web: www.hjhydraulic.com

Email: manager@sjzhjism.com